



Product:	<b>MLCC for 150°C</b>	<b>TAIYO YUDEN</b>
Description:	For Automotive Powertrain Applications	
	 <a href="#">Download Now</a>	

Part Number	<b>UPC1365C</b>	Powered by <a href="#">Octopart</a>															
Manufacturer	<b>NEC</b>	 NEC UPC1365C															
Short Description	<b>PAL Chrominance and Luminance Processor</b>	<table border="1"> <thead> <tr> <th>Distributor</th> <th>Stock</th> <th>1</th> <th>10</th> <th>100</th> <th>1,000</th> </tr> </thead> <tbody> <tr> <td></td> <td></td> <td></td> <td></td> <td></td> <td></td> </tr> </tbody> </table>				Distributor	Stock	1	10	100	1,000						
Distributor	Stock	1	10	100	1,000												
Long Description																	
Page	<b>20 Pages</b>																

Datasheet : [UPC1365C](#)

## BIPOLAR ANALOG INTEGRATED CIRCUIT

# $\mu$ PC1365C

### PAL CHROMINANCE AND LUMINANCE PROCESSOR SILICON BIPOLAR MONOLITHIC INTEGRATED CIRCUIT

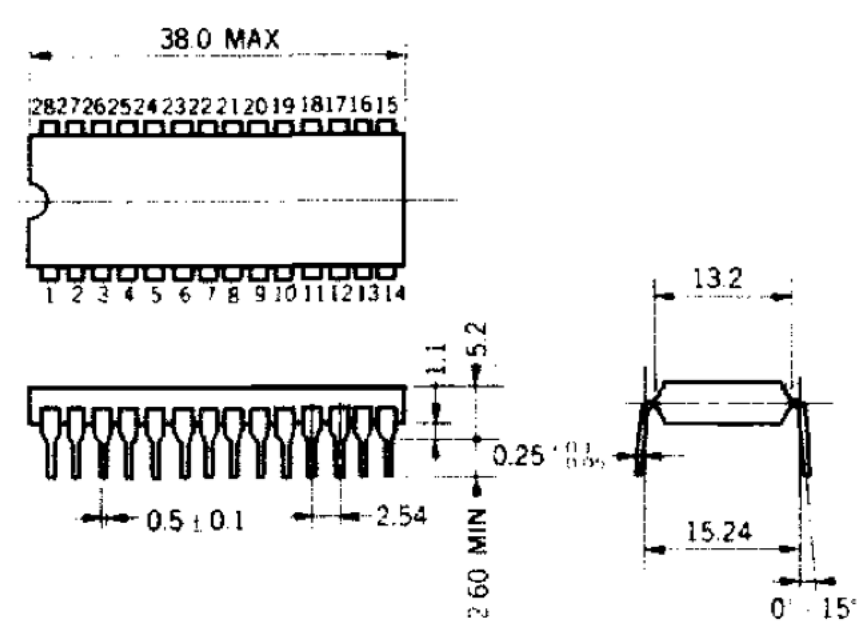
#### DESCRIPTION

$\mu$ PC1365C is a luminance and chrominance stage LSI for PAL system TV sets. It contains luminance amplifier, chroma IF amplifier, sub-carrier oscillator, PAL switching circuit, chroma demodulator, matrix circuit, and the other necessary additions. It puts out R,G,B primary colors. This LSI restores 100 % of the DC level. And it is easy to adapt remote control system to "BRIGHTNESS", "CONTRAST", and "COLOR SATURATION", as the control terminals are designed to high impedance.

#### FEATURES

- This LSI has built-in function for PAL-SECAM dual system.
  - 1) Two ICs construction by NEC's SECAM IC  $\mu$ PC1364C2.
  - 2) Only one 1-H delay line is required for dual system.
  - 3) Automatically switchable function for PAL/SECAM signals.
- This LSI can process both of the chrominance and the luminance signals.
- Due to DC control method for color, contrast, and brightness control, the wiring is rather easy and the expansion to remote control receiver are also rather easy.
- The level of color killer circuit can be adjusted from the outside and the color killer circuit has proper hysteresis characteristics.
- The input circuit require only the band pass filter and 4.43 MHz trap. Furthermore, the demodulated output are R,G,B signals. So that the chroma output stage are quite simplified.
- The contrast control can automatically adjust the levels of chroma

#### PACKAGE DIMENSIONS in millimeters



- [UPC1361C](#) Bipolar Analog Integrated Circuit
- [UPC1362C](#) Bipolar Analog Integrated Circuit
- [UPC1363C](#) Bipolar Analog Integrated Circuit
- [UPC1364C2](#) UPC1364C2
- [UPC1365](#) Video Signal Processor IC
- [UPC1365C](#) PAL Chrominance and Luminance Processor
- [UPC1366C](#) Video IF Processor
- [UPC1366C](#) Video IF Processor